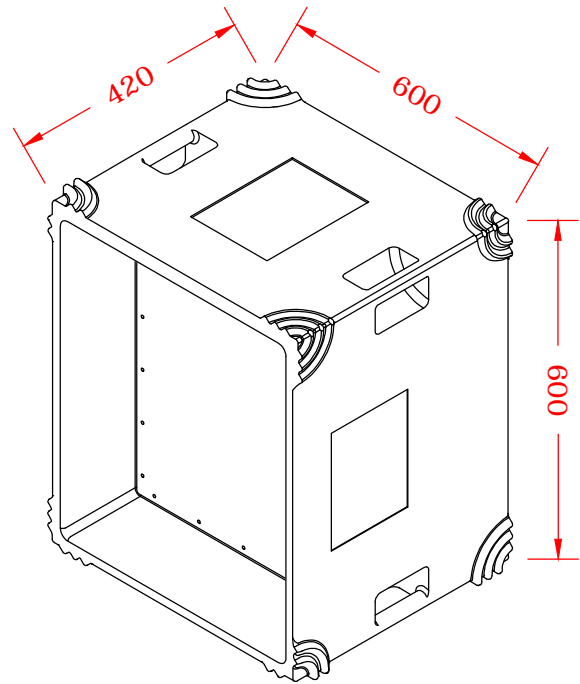
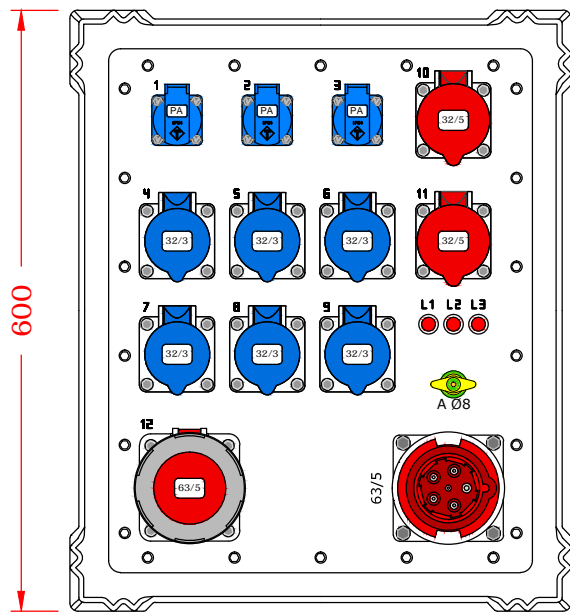


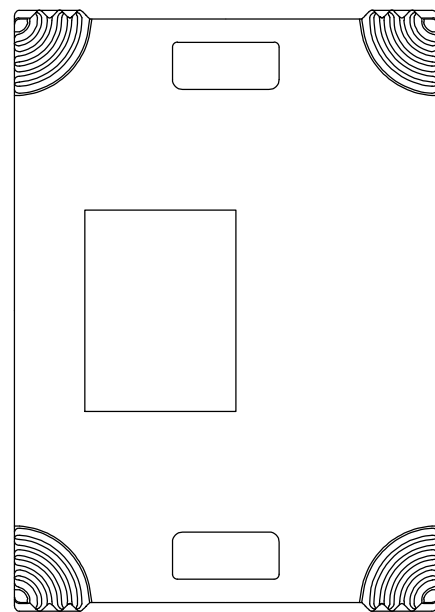
FRONT



RIGHT



BACK



RIGHT

Name: EP

Date: 24.04.2023

Frame: N.A.

Material: PE

Measurements in mm

Type: CUBES-60

V45.60.0667-D

Amp.: 63A

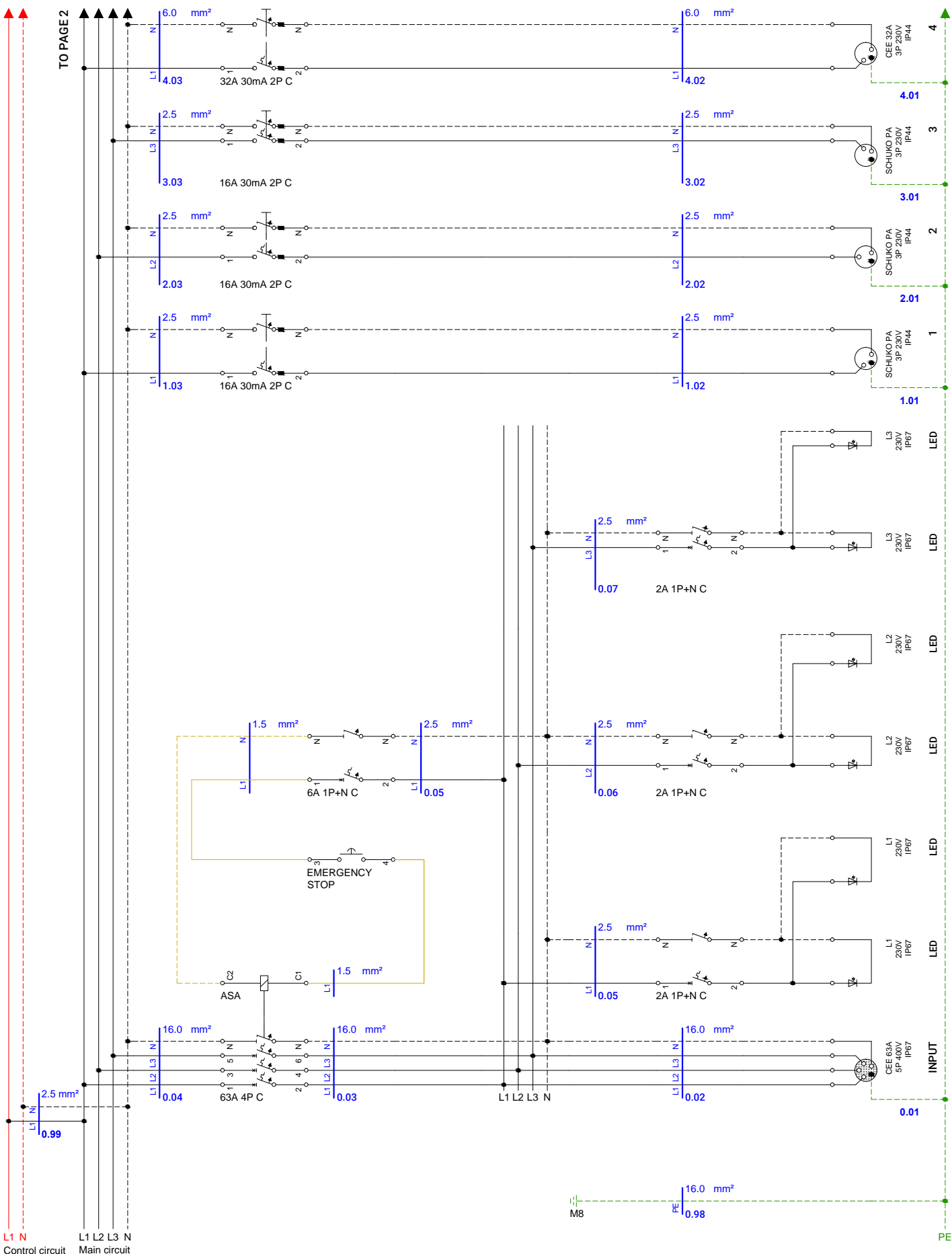
Page: 1/1



Vello Elektro B.V.
Typograaf 14
NL - 6921 VB Duiven

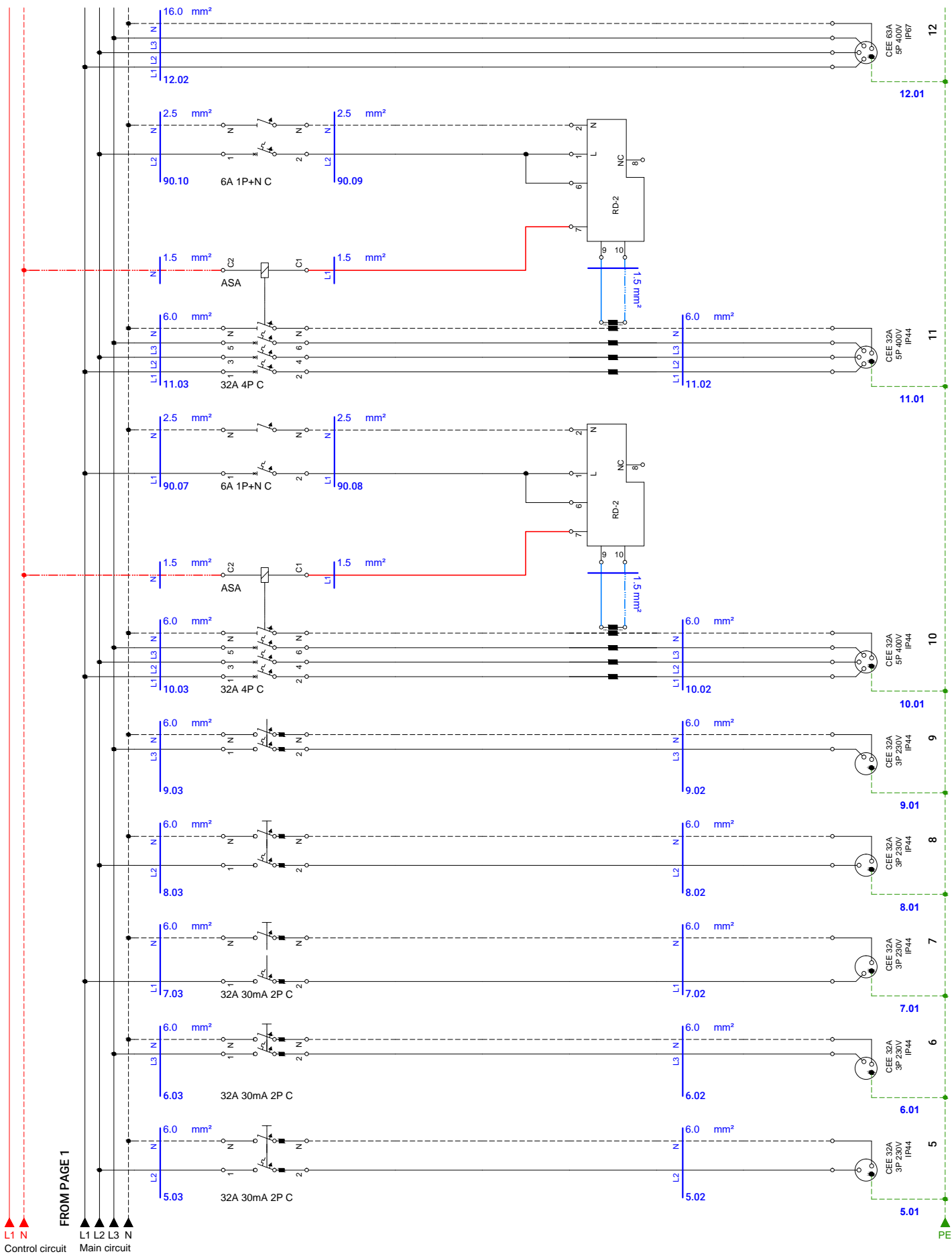
Tel. +31 (0)316 25 15 00
www.vello.nl
info@vello.nl

**ROCK-SOLID.
INDESTRUCTIBLE.**



Name: EP	Date: 07.04.2023	<h1>V45.60.0667-S</h1>
I _{NA} : 63A	f _n (AC): 50Hz	
U _{NA} : 400V	RDF: 0,6	

Internal wiring H07V-K unless otherwise noted According to NEN-EN-IEC-61439 Page: 1/2



Name: EP	Date: 07.04.2023	V45.60.0667-S	Page: 2/2
I _{nA} : 63A	f _n (AC): 50Hz		
U _{nA} : 400V	RDF: 0,6		
Internal wiring H07V-K unless otherwise noted		According to NEN-EN-IEC-61439	



Vello Elektro B.V.
Typograaf 14
NL - 6921 VB Duiven

Tel. +31 (0)316 25 15 00
www.vello.nl
info@vello.nl

ROCK-SOLID.
INDESTRUCTIBLE.